

Application Data Sheet for request Magnetic-clamping-system type M-TECS



ROEMHELD
HILMA ▪ STARK

Machine

Press Manufacture _____ Customer name: _____

Press type _____

Closing force of the press _____

Opening force _____

Nozzle force _____ when mold is open
(if nozzle exist) _____

Ejector force _____
(if ejector exist) _____

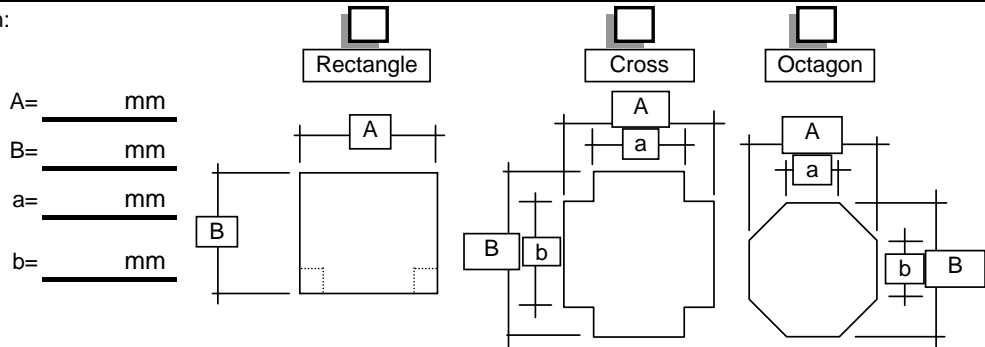
Range of temperature _____ Surface between mold and mag.platen

Operating of the press



M-TECS Platen Geometry

Designed of the platen:
and dim. Mm



Molds

Measurements of the molds:

Smallest Mold _____ mm Weight: _____ kg THICKNESS: _____

Biggest Mold _____ mm Weight: _____ kg

Steel used for baseplaten: _____ 1.1730 or others _____
(Thickness of baseplaten min. 20mm)

Remarks

Drawing of the machine table exist: Yes (see encl. datasheet) no

Add. Extras or notes: _____

Contact:
Hilma-Roemheld GmbH
Schuetzenstrasse 74
57271 Hilchenbach
Germany
s.veit@hilma.de
Tel. 0049 2733 281 0

Mr. Veit

