



## Swing Clamps with Reinforced Swing Mechanism

threaded-body type, position monitoring optional,  
 double acting, max. operating pressure 500 bar

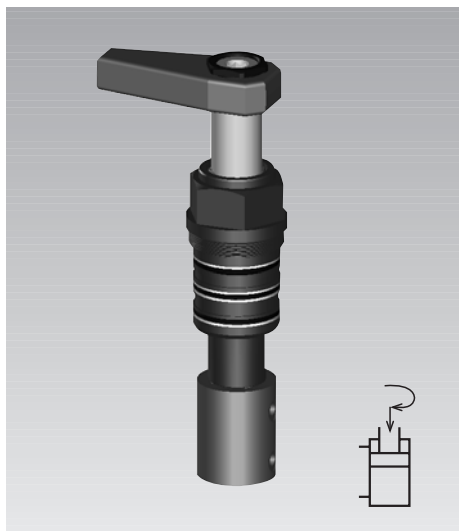


Figure with position monitoring

### Application

Hydraulic swing clamps are used for clamping of workpieces when it is essential to keep the clamping area free of straps and clamping components for unrestricted workpiece loading and unloading. Due to the sturdy swing mechanism and the extended switch rod they are particularly suited for

- Clamping fixtures with workpiece loading via handling systems
- Transfer lines
- Test systems for motors, gears, axes, etc.
- Automatic manufacturing systems
- Assembly lines

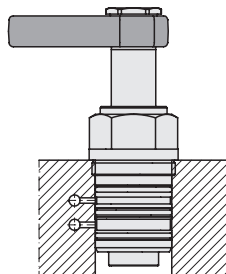
### Description

This line is a further development of the proved ROEMHELD swing clamps with the aim to improve process safety in linked clamping systems. The most important characteristics are as follows:

1. Omission of the overload protection device  
 In the case of a slight collision with the clamping arm during loading and unloading of the fixture, the angular position of the clamping arm will be maintained. Less critical are the weight of the clamping arm or an increased swing speed.
2. Reinforced swing mechanism  
 The reinforced swing mechanism endures a collision of the clamping arm with the workpiece during clamping up to a pressure of 100 bar.
3. FKM wiper  
 This wiper has a high chemical resistance when using aggressive cutting fluids
4. Further types of bodies  
 Flange at the bottom: data sheet B 1.8811  
 Flange at the top: data sheet B 1.8801

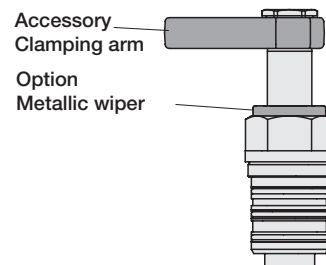
### Connecting possibility

#### Drilled channels

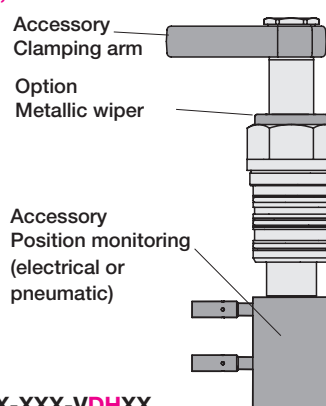


### Versions

#### DH, DM: without switch rod



#### MH, MM: with switch rod



### Part numbers

**Without switch rod, without metallic wiper:** 189X-XXX-VDHXX  
**Without switch rod, with metallic wiper:** 189X-XXX-VDMXX  
**With switch rod, without metallic wiper:** 189X-XXX-VMHXX  
**With switch rod, with metallic wiper:** 189X-XXX-VMXX

### Options

#### Switch rod for position monitoring

The helix rod protrudes through the cover and allows thereby a pneumatic or electrical monitoring of the piston position outside the swarf area. As an accessory a pneumatic position monitoring is available; the brass control slide being displaced in a stainless steel housing. The slide opens and closes bore holes, so that a pressure switch or a differential pressure switch can signal the position "Clamped" and "Unclamped". It is also possible to realise this monitoring directly in the fixture body by means of drilled channels. An electrical position monitoring with inductive proximity switches is also available (see page 2).

#### Metallic wiper

This wiper protects the FKM wiper against mechanical damage, e.g. by hot swarf. The swing clamp body is prepared for mounting of the metallic wiper. The wiper consists of a radially floating wiping disk and a retaining disk which will be pressed onto the existing collar.

Metallic wiper  
 optional

### Important notes

Due to the missing overload protection device, assembly and disassembly of the clamping arm has to be made carefully despite the reinforced swing mechanism. When tightening and untightening the fixing nut, the clamping arm or the hexagon socket in the piston has to be backed up. It is recommended to effect tightening and untightening in the swivel area. Frequent collisions with the clamping arm in radial direction have to be avoided.

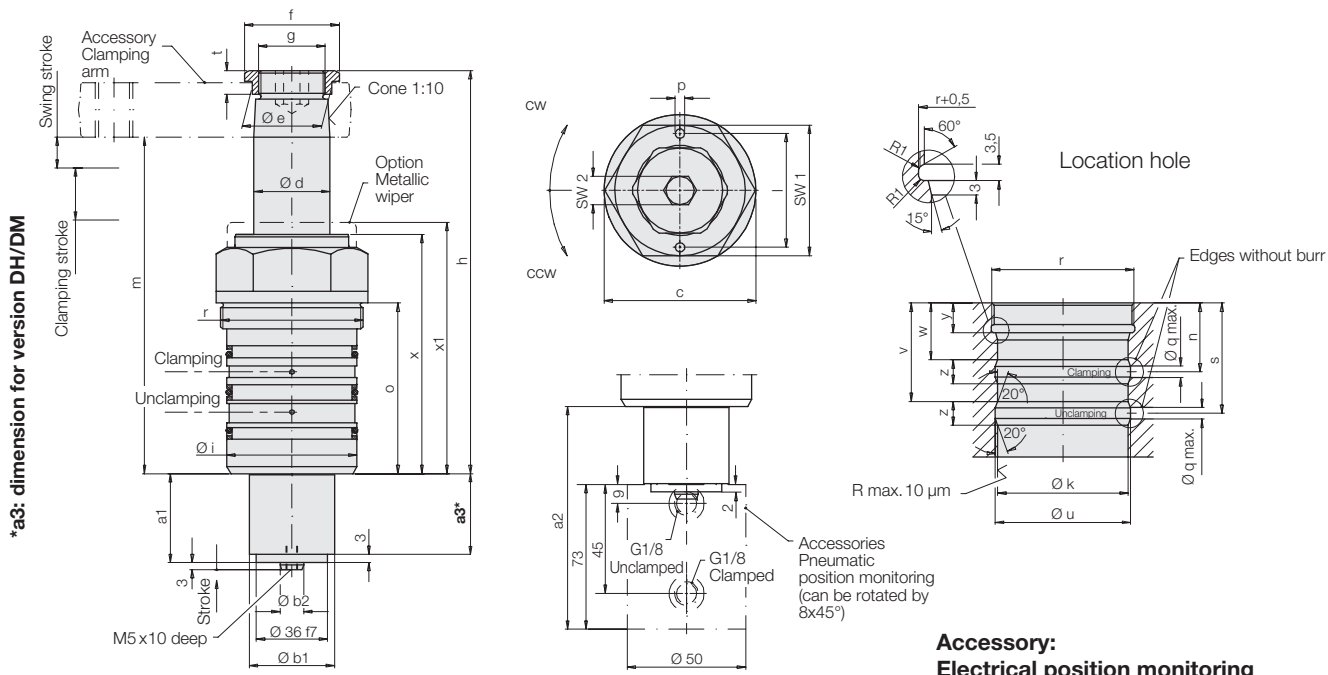
For interpretation of the pneumatic pressure we recommend to use a differential switch.

Parallel connection for up to 8 swing clamps is possible. For a greater number there are special solutions. Please contact us.

Further important notes see data sheet B 1.892.

# Dimensions

## Technical characteristics • Accessories



\*a3: dimension for version DH/DM

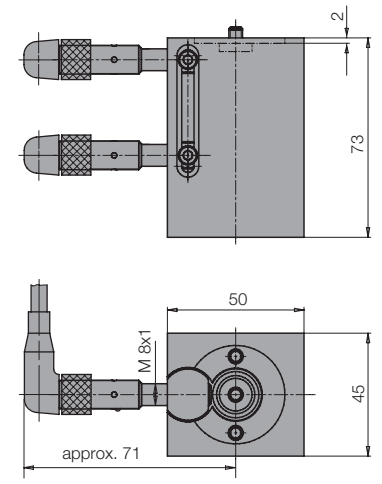
Clamping stroke	[mm]	22	20
Swing stroke	[mm]	13	18
Total stroke	[mm]	35	38
Operating pressure, min.	[bar]	30	30
Max. oil flow rate	[cm <sup>3</sup> /s]	20	55
Oil volume / stroke	[cm <sup>3</sup> ]	15.8	43.8
Oil volume / return stroke	[cm <sup>3</sup> ]	41.2	114.2
a1	[mm]	38	41
a2	[mm]	108	112
a3*	[mm]	28	28
Ø b1	[mm]	36	45
Ø b2 f7	[mm]	10	12
Ø c	[mm]	64	100
Ø d	[mm]	32	50
Ø e	[mm]	33.5	55.5
f	[mm]	40	68
g	[mm]	M 28x1.5	M 45x1.5
h	[mm]	171	209
Ø i f7	[mm]	55	85
Ø k H7	[mm]	55	85
l	[mm]	-	80
m -1	[mm]	143	169
n	[mm]	29	41
o	[mm]	72	109
Ø p / deep	[mm]	-	8 / 9
Ø q max.	[mm]	5	6
r	[mm]	M 60x1.5	M 90x2
s	[mm]	46.5	64
t	[mm]	10	12
Ø u	[mm]	57	87
v	[mm]	41.5	59
w	[mm]	24	36
x	[mm]	101	124
x1	[mm]	106	129
y	[mm]	12.5	20.5
z	[mm]	10	10
SW 1	[mm]	55	95
SW 2	[mm]	12	17

	Part-no.	Part-no.
Swing direction 90° cw	<b>1895-101-VXX35</b>	<b>1897-101-VXX38</b>
Swing direction 90° ccw	<b>1895-201-VXX35</b>	<b>1897-201-VXX38</b>
0 degree	<b>1895-241-VXX35</b>	<b>1897-241-VXX38</b>

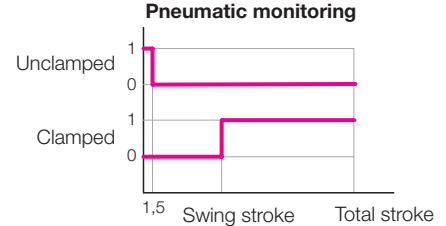
**XX: Version**      **DH/DM** = without/with metallic wiper without switch rod  
**MH/MM** = without/with metallic wiper with switch rod

Accessories	Part-no.	Part-no.
Pneumatic position monitoring, complete	<b>0353-808</b>	<b>0353-810</b>
Electrical position monitoring		
– without switch	<b>0353-815</b>	<b>0353-813</b>
– with standard switch and angle plug	<b>0353-814</b>	<b>0353-811</b>
Metallic wiper, complete (spare part)	<b>0341-100</b>	<b>0341-102</b>

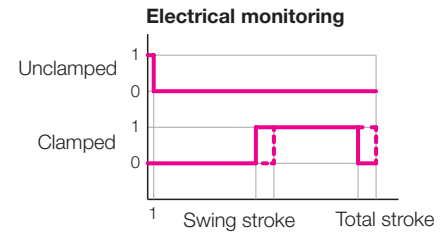
### Accessory: Electrical position monitoring



### Function charts



1 = Closed  
0 = Passage



Code numbers for available swing angles	Part-no.
Swing angle (±1°)	
90°	<b>189X-X0X-VXXXX</b>
60°	<b>189X-X2X-VXXXX</b>
45°	<b>189X-X3X-VXXXX</b>

Clamping force diagrams and other accessories see data sheet B 1.892. Further proximity switches see data sheet B 1.552.