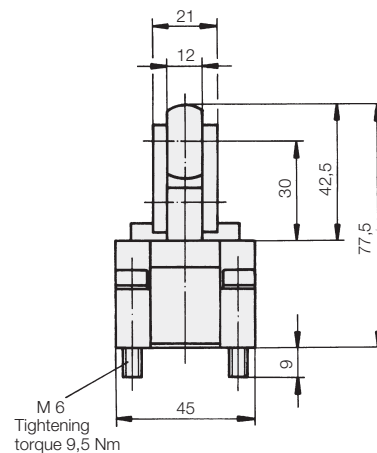
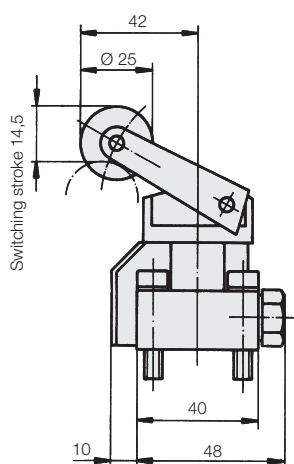
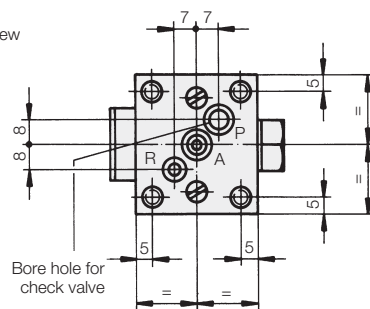


## Directional Control Valves ND 4

mechanically operated, max. operating pressure 500 bar



Bottom view



Seal (spare part)	Part no.
at A: O-ring Ø 5x1.5	<b>3000-340</b>
at P: O-ring Ø 8x1.5	<b>3000-343</b>
at R: O-ring Ø 8x1.5	<b>3000-343</b>

### General data

Type	Poppet valve
Type of connection	Subplate mounted (see accessories)
Port size	G 1/4
Weight	0.4 kg

### Hydraulic data

Adm. operating pressure	0-500 bar
Adm. flow rate	8 l/min
Direction of flow	Only in direction of arrow as in symbol
Hydraulic oil	HLP 22

### Operating specification

mechanically by roller lever	
Operating force	28 N at 500 bar

### Description

3/2directional control valve without check valve

### Symbol



### Part no.

**2341-101**

3/2directional control valve with built-in check valve



**2341-201**

Other switching functions on request

### Accessories

Mounting plate	<b>3534-039</b>
----------------	-----------------

$\Delta p$ -Q characteristic curve for kinematic viscosity of  $53 \times 10^{-6} \text{ m}^2/\text{s}$  (HLP 22 at 20 °C)

