



Directional Control Valves ND 4
electrically-operated, with socket adapter
max. operating pressure 500 bar (350 bar)

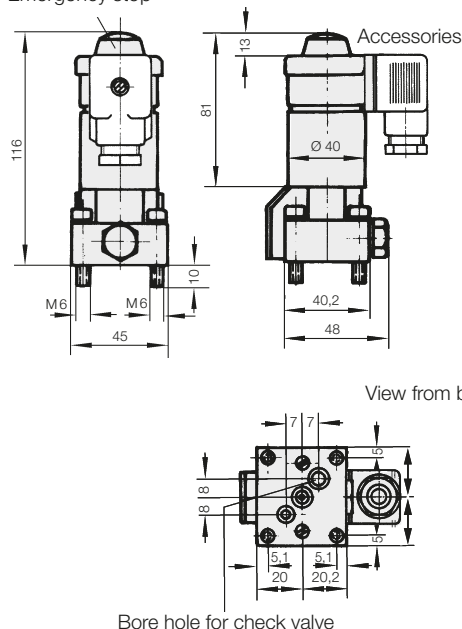


Technical data	
Design	Poppet valve hermetically sealed
Type of mounting	4 screws M 6
Type of connection	Mounting plate see reverse

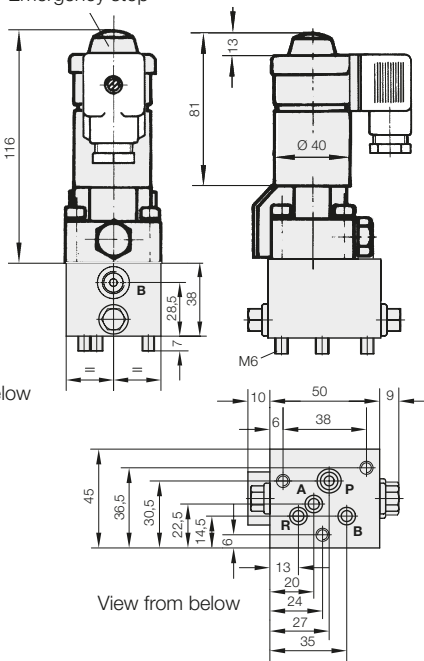
Hydraulic characteristics	
Adm. operating pressure	500 bar
Adm. flow rate	8 l/min
Direction of flow	only in direction of arrow as in symbol
Hydraulic oil	HLP 22

Electrical characteristics	
Nominal voltage +5%-10%	24 V DC
Inrush power	20 W
Holding power	20 W
Power consumption	20 W
Make time	100 ms
Brake time	50 ms
Max. cycles	2000/h
Duty cycle	100% ED
Code class	IP 54
Connection	for plug EN175301-803 FormA

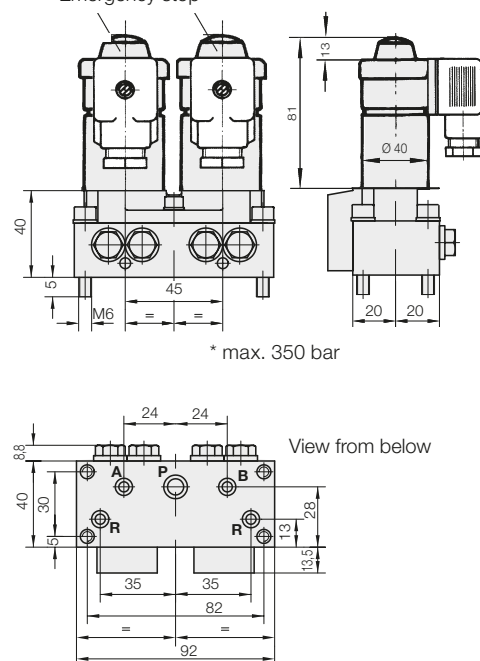
2/2 and 3/2 directional control valves
Emergency stop



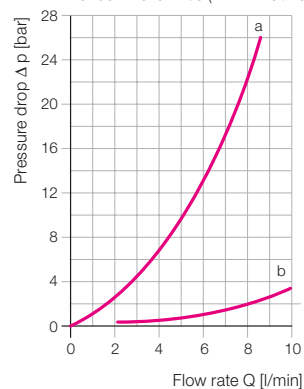
4/2 directional control valve
Emergency stop



4/3 directional control valve*
Emergency stop



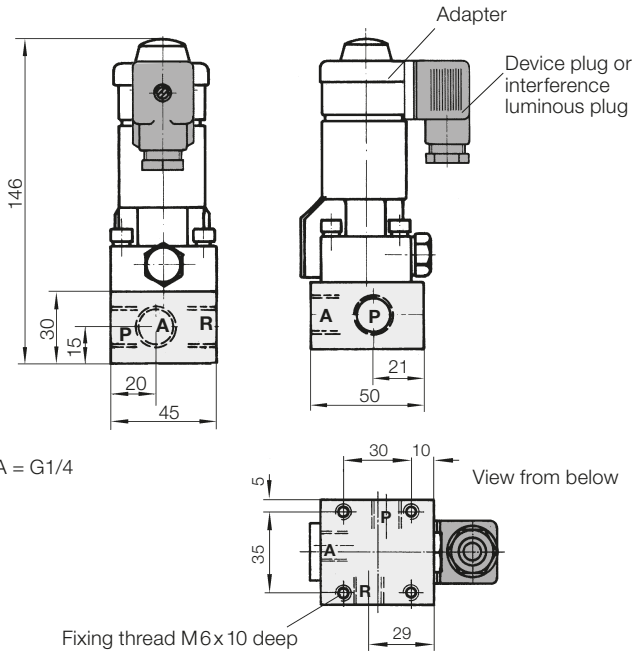
Δp -Q characteristic curve for kinematic viscosity of $53 \times 10^{-6} \text{ m}^2/\text{s}$ (HLP 22 at 20 °C)



a = solenoid valve
b = plug-in check valve

Description	Symbol	with socket adapter Part no.
3/2 directional control valve GZ 3-1		2361-220
3/2 directional control valve GZ 3-1 R		2361-320
2/2 directional control valve GZ 2-1		2361-321
2/2 directional control valve GS 2-1		2361-322
3/2 directional control valve G 3-1		2362-220
3/2 directional control valve G 3-1 R		2362-320
4/3 directional control valve G 22-1**		2361-222
4/2 directional control valve G 4-1R		2362-220 +2360-114

Single mounting plate for 2/2 and 3/2 directional control valve



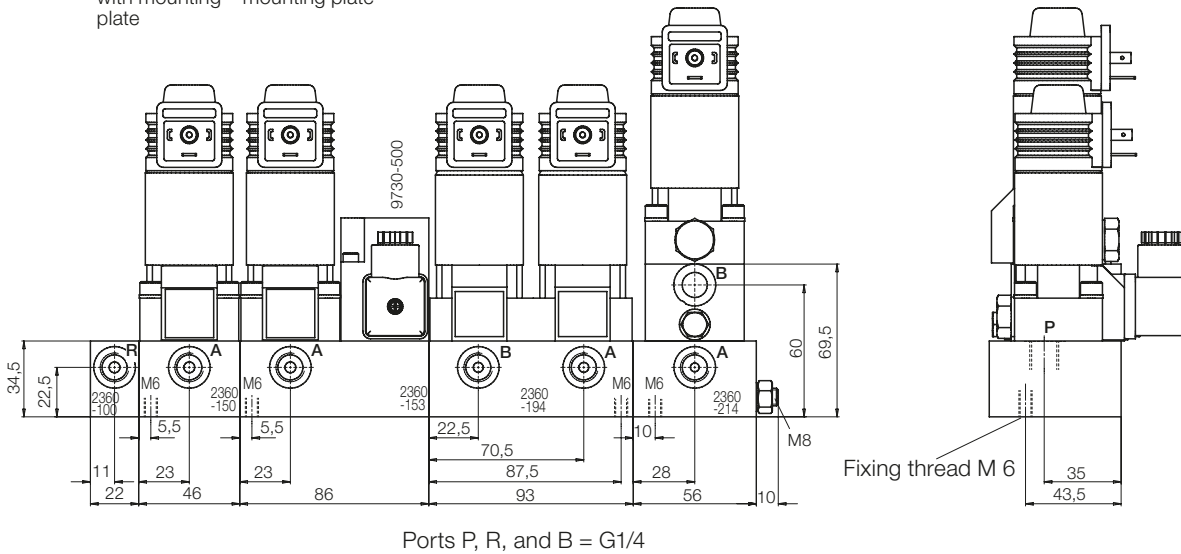
Accessories	Part no.
Device plug as per EN175301-803	3141-012
Interference luminous plug	3141-477
Adapter (spare part)	3141-299
Plug-in check valve ER11	3815-002
Single mounting plate	3534-039

Sealing (spare part)

	Ports	O-ring	Part no.
2/2 and 3/2 directional control valve	P and R	8 x 1.5	3000-343
	A	5 x 1.5	3000-340
4/2 and 4/3 directional control valve	P	8 x 1.5	3000-343
	A, B and R	5 x 1.5	3000-340

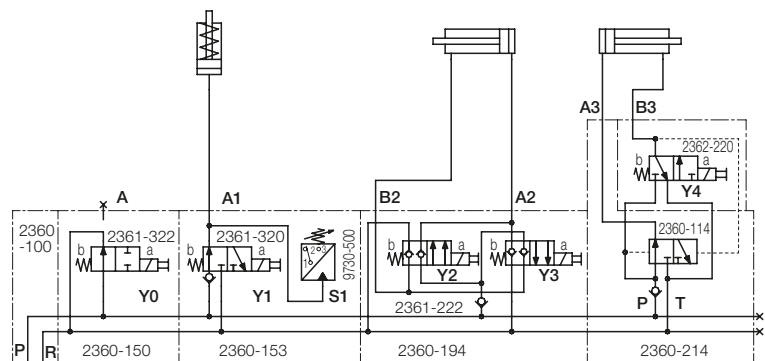
Example for mounting plate combination

- 2/2 or 3/2-directional control valve with mounting plate
- 3/2 directional control valve with pressure switch and mounting plate
- 4/3 directional control valve with mounting plate
- 4/2 directional control valve with mounting plate



Example of ordering:

- 1 off mounting plate combination consisting of:
- 1 off input plate
Part no. 2360-100
- 1 off series mounting plate
Part no. 2360-150
- 1 off series mounting plate
Part no. 2360-153
- 1 off series mounting plate
Part no. 2360-194
- 1 off series mounting plate
Part no. 2360-214
- 1 off threaded bolt M8 x 1000*
Part no. 3300-343



* Minimum length = 2 x total length of all mounting plates + 40 mm