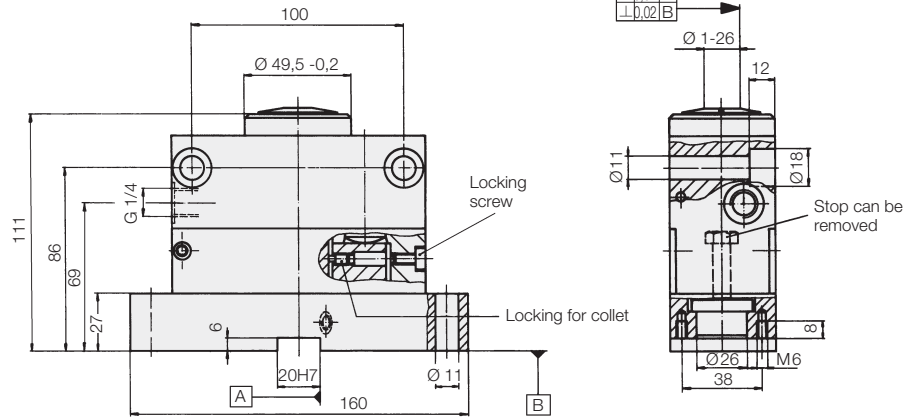
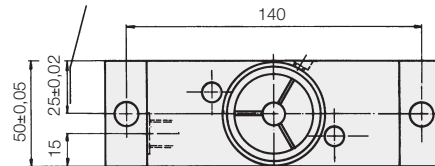




Collet Vice, Single
single acting, max. operating pressure 250 bar



Tolerances only valid for collets



Application

Collet vices are particularly suited to clamp round, square and hex-shaped workpieces. These compact vices are easily mounted to multiples.

Description

Oil supply is made by means of G 1/4 ports. The unit is single acting and can be operated by any hydraulic power source.

Reset of collet is effected by springs.

Internal workpiece stop can be adjusted and safeguarded by means of two socket wrenches. To clamp long workpieces adjustable workpiece stop can be removed after unscrewing of locking screw (M6).

Positioning of the collet vice on the machine tool table is obtained by a milled tenon groove in the base plate. To obtain more flexibility, positioning of collet vice can be mounted at the side considering tolerances of collet.

Max. clamping force, axial	[kN]	8,5
Max. clamping force, radial	[kN]	85
Max. operating pressure	[bar]	250
Clamping range of collet	[mm]	$\varnothing 1-26$
Max. oil flow rate	[cm ³ /s]	40
Max. oil volume/clamping stroke	[cm ³]	1,9
Weight	[kg]	4,3

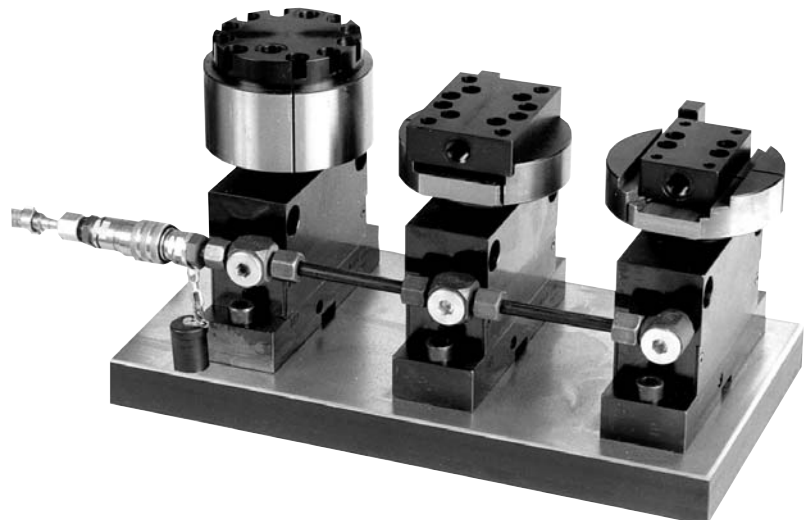
Part-no. 4604-700

Collet

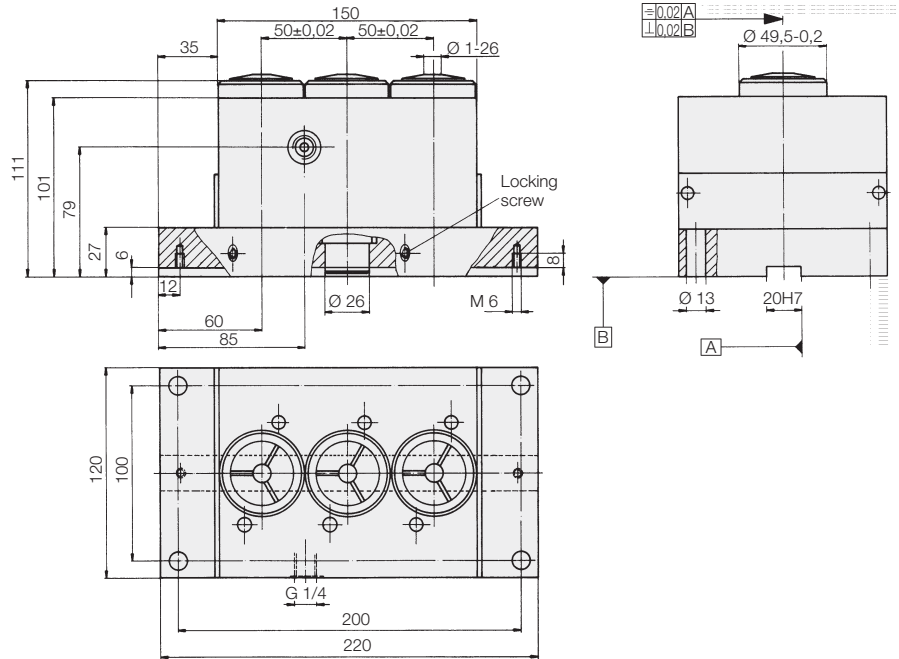
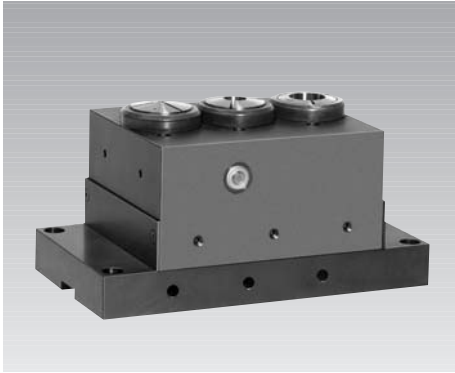
(not included in our delivery)

Manufacturer's part-no.:
385 E (and clamping diameter)

Application example



Collet vice, triple single acting • max. operating pressure 250 bar



Application

Collet vices are particularly suited to clamp round, square and hex-shaped workpieces.

Description

Oil supply is made by means of G 1/4 ports. The unit is single acting and can be operated by any hydraulic power source.

Reset of collet is effected by springs.

Internal workpiece stop can be adjusted and safeguarded by means of two socket wrenches. To clamp long workpieces adjustable workpiece stop can be removed after unscrewing of locking screw (M6).

Positioning of the collet vice on the machine tool table is obtained by a milled tenon groove in the base plate.

Max. clamping force, axial	[kN]	8.5
Max. clamping force, radial	[kN]	85
Max. operating pressure	[bar]	250
Clamping range of collet	[mm]	Ø 1-26
Max. oil flow rate	[cm ³ /s]	40
Max. oil volume/clamping stroke	[cm ³]	5.7
Weight	[kg]	13.1

Part-no. 4604-705

Collet

(not included in our delivery)

Manufacturer's part-no.:
385 E (and clamping diameter)

Application example

