



**Base Plates**  
for *modulog* lifting modules



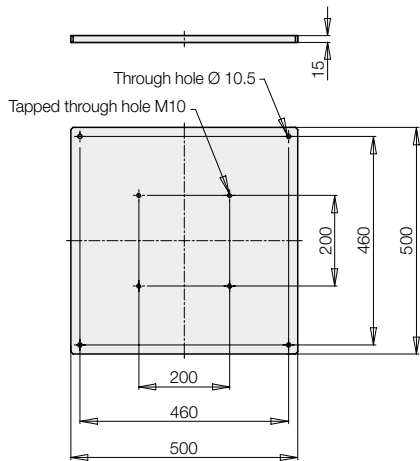
Base plate 500 x 500 mm

**Base plate 500 x 500 mm**  
Standard version

with single *modulog* interface 200 x 200  
with 4 threads M10

**Part no.: 6311 412**

Use primarily for individual lifting modules



**Advantages**

- *modulog* interface
- Increased stability
- Installation possible on many sub-floors
- Easy mounting

**Application**

Base plates are primarily used with lifting modules.

They are screwed to the lifting module and the floor to get a larger support surface and an increased stability of the lifting module.

The use of base plates is especially recommended for sub-floors with unknown strength and high torque loads.

**Material**

Steel, black oxide

**For lifting modules:**

- Basic
- Shop-Floor
- Strong
- Shop Floor Telescope
- Solid

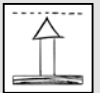
***modulog***  
**Base plate**

**Part no. 631XXXX**



**Combinable with the module**

- Lifting modules as per data sheet M 4.XXX



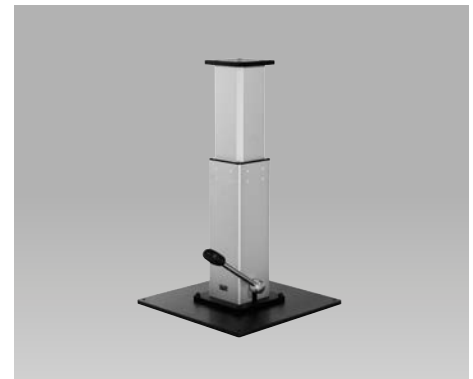
***modulog* interface**

- 200 x 200 - M10
- 140 x 140 - M10

**Important note!**

The fixing screws M10 are not included in our delivery.

**Application example**



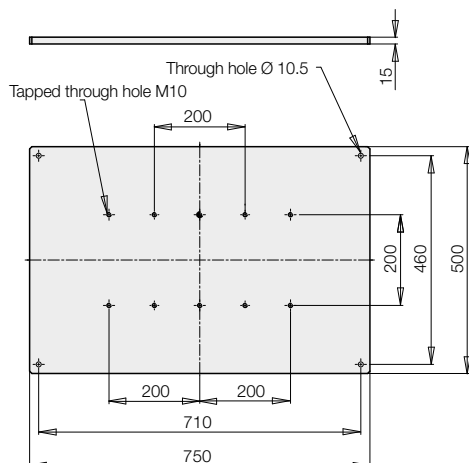
Lifting module Shop-Floor with base plate

**Base plate 750 x 500 mm**

*modulog* interface 200 x 200  
with 10 threads M10

**Part no.: 6311 460**

Use primarily for lifting modules with higher max. torque load M 4.401, M 4.402 and M 4.501



**For lifting modules:**

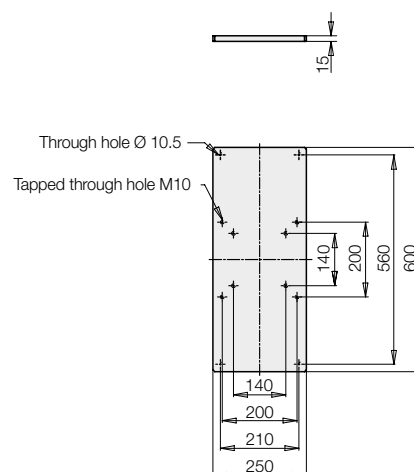
- Basic
- Range
- Shop-Floor
- Strong
- Twin-Strong
- Shop Floor Telescope
- Solid

**Base plate 600 x 250 mm**

*modulog* interface 200x200 and 140x140  
each provided with 4 threads M10

**Part no.: 6312161**

Use primarily for lifting units in synchronism



**For lifting modules:**

- Basic
- Shop-Floor
- Shop Floor Telescope
- Strong
- Solid